

ECO'SEALER EFFICIENT SEALING ROBOT



YOU CAN ALWAYS RELY UPON:

- German-Swiss quality standards
- High efficiency and reliability
- Worldwide after-sales service

Efficient solution for automated insulating glass unit sealing

- Continuous, automatic sealing of **varying formats and dimensions**
- **Excellent sealing quality** with volume-controlled dosing system close to the nozzle
- **Homogeneously sealed corners** via nozzle/spatula system
- **Gentle, non-soiling** glass transportation by air cushion and V-belt conveyor
- **Simple and fast material exchange** without replacing complete dosing system
- **Several upgrade possibilities** to accommodate future requirements

ADVANTAGES AT A GLANCE

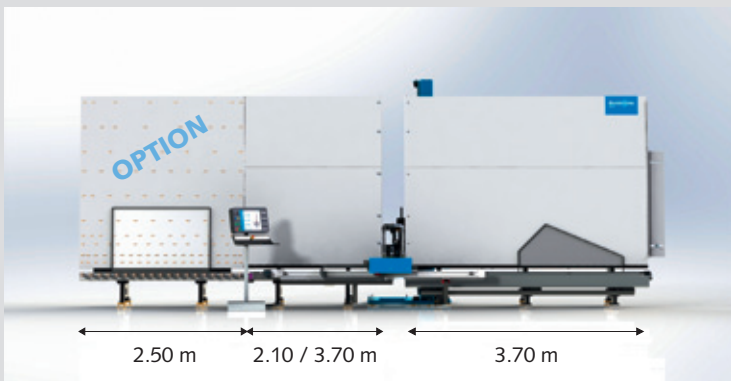
High quality system components for maximum efficiency



INDIVIDUAL CONFIGURATION POSSIBILITIES

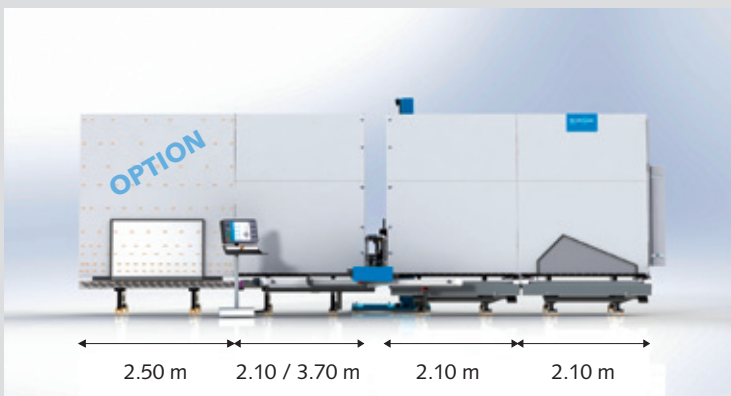
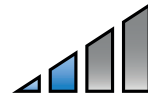
Configurations from Light up to Extended Version

Individual requirements need individual solutions. Even for low budgets there is an entry solution, which can adapt to growing demands. Therefore the **eco'sealer** offers numerous upgrade possibilities.



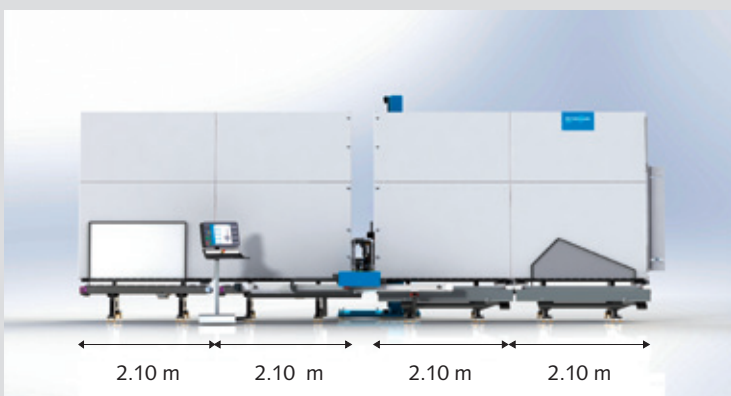
LIGHT

- Two segments
- Run-in conveyor with flat belt, run-out conveyor with V-belt
- Additional run-in conveyor (option)



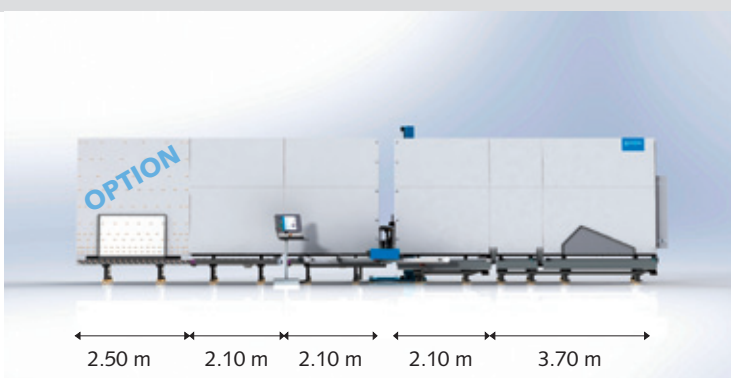
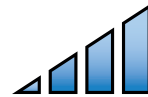
STANDARD

- Three segments
- Run-in conveyor with flat belt, two run-out conveyors with V-belt
- Additional run-in conveyor (option)



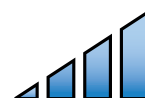
PLUS

- Four segments
- Two run-in conveyors with flat belt, two run-out conveyors with V-belt
- Additional conveyors (option)



EXTENDED

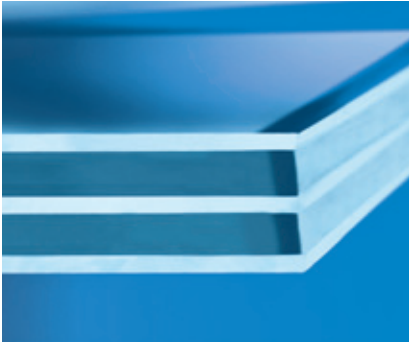
- Especially designed for long I.G. units
- Four segments
- Two run-in conveyors with flat belt, two run-out conveyors with V-belt and two segments with support
- Additional conveyors (option)



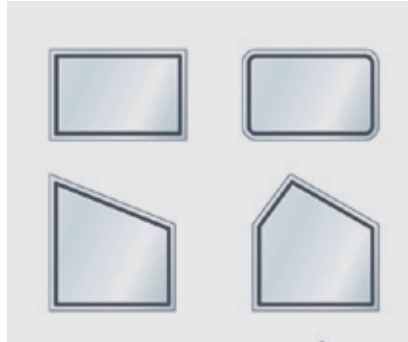
OPTIONS

Choose from a great variety of options

SEALING OF TRIPLE I.G. UNITS WITH SPECIAL NOZZLE



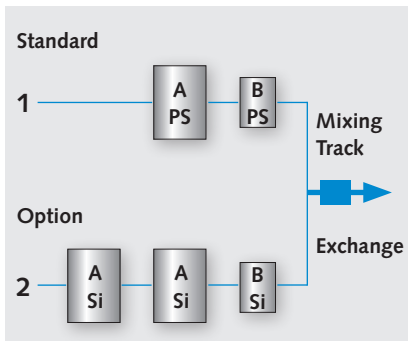
SEALING OF SHAPED I.G. UNITS ACCORDING TO SHAPE CATALOGUE



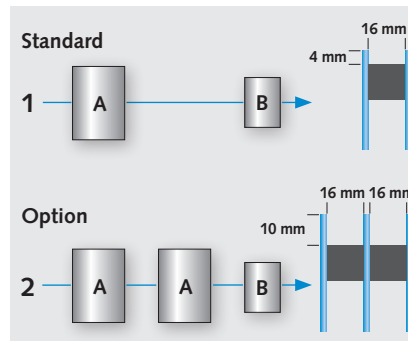
SEALING OF 3-SIDED STEPPED I.G. UNITS



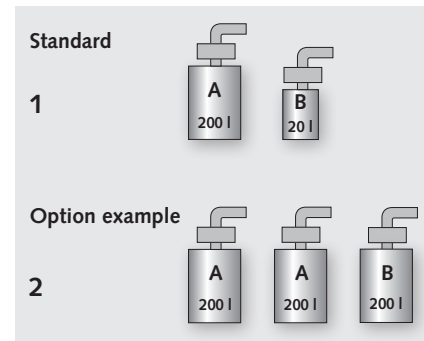
SECOND DOSING SYSTEM FOR ADDITIONAL SEALANT MATERIAL



SECOND DOSING PUMP FOR CONTINUOUS REFILLING OF DOSING CYLINDER



ADDITIONAL DRUM PUMPS FOR INTERRUPTION-FREE OPERATION



TECHNICAL DATA	ECO'SEALER
Working heights	1.60 m / 2.30 m / 2.70 m (63.0 in. / 90.6 in. / 106.3 in.)
Processable dimensions	min. 190 x 350 mm (7.5 x 13.8 in.) max. 2700 x 3500 mm (106.3 x 137.8 in.) others on request
Sealing width	6 – 24 mm (0.24 – 0.94 in.), others on request
Sealing depth	2 – 10 mm (0.08 – 0.39 in.), others on request
Insulating glass thickness	12 – 60 mm (0.47 – 2.36 in.), others on request
Glass thickness	2.2 – 15 mm (0.09 – 0.59 in.), others on request
Weight of I.G. unit	max. 250 kg/m

