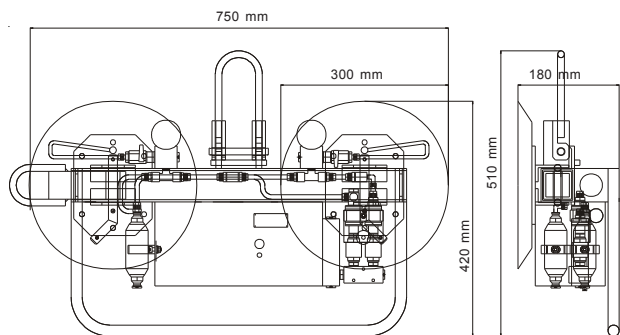
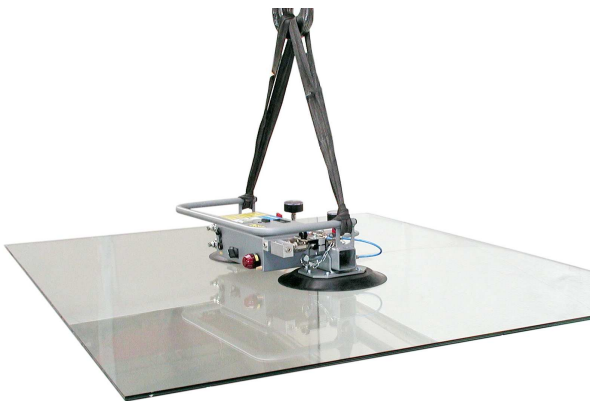
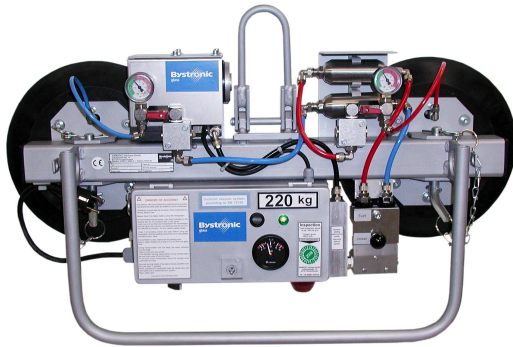


## Accumulator-driven suction frame ASL V 220 for mobile use

- ◆ Accumulator-driven and self-contained manipulator to handle glass panes or similar plates
- ◆ Vertical use with longitudinal or transversal arrangement of the suction cups
- ◆ 2-circuit-vacuum system according to European norm EN 13155
- ◆ Own weight: only 20 kg



Technical data	
Application	self-contained in chain or wire rope hoist, in hall or mobile crane
Safe working load	220 daN (kg)
Movement of load	vertical, 3 fixing possibilities
Suction cups	2 x ø 300 mm
Vacuum generation	vacuum pump
Own weight	20 kg
Battery	12 V / 7,2 Ah, approx. 150 x sucking
Battery charger	230 V
Glass size	min. 800 x 400 mm max. recommended up to 2 m <sup>2</sup>
Standard colour	white aluminium RAL 9006
Safety device	visual indicator